

Straight Bulkhead (Metric)



Benefits:

- Leak free o-ring seal
- Safe joint every time
- Low tightening torque and clamping force rises with the internal pressure.
- Low installed cost, no welding (so inert gas purging, NDT and excessive flushing are not required), minimal tube preparation and no special assembly equipment required.
- Demountable and reusable, can be used with most tube materials.

Features:

Body – mild steel, stainless steel or cupro-nickel. Compatible with most fluids and environments. Locates o-ring and tube.

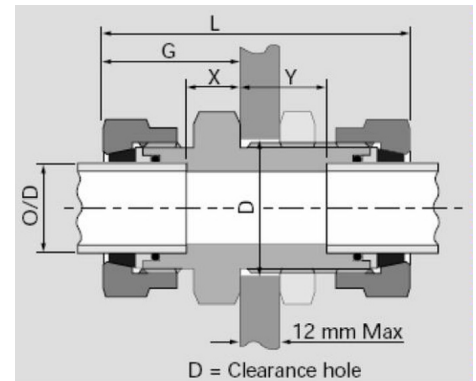
O-ring – nitrile, FPM (Viton), EP or FEP encapsulated FPM. Compatible with most fluids. Highly resistant to leakage even under severe vibration, pressure pulsation and temperature cycling. Provides diametric seal between tube OD and body cavity.

Nut – mild steel, stainless steel or cupro-nickel. Compatible with most environments. Closes split collet and retains sealing mechanism.


Back-up washer – mild steel, stainless steel, or cupro-nickel. Provides additional support for the tube and locates the o-ring.

Split collet – mild steel, stainless steel or cupro-nickel. Clamping force rises with pressure. Large clamping area ensures minimal deformation of the tube. Retains tube in position.

- 3:1 safety factor
- Derate by 50% for high pressure gas systems
- Pressure ratings based on the tube OD tolerance to BS3602 and DIN2391C



 **Working Temperature:**
Nitrile: -40°C to +100°C
Viton: -20°C to +150°C

 **Maximum Working Pressure:**
6mm to 22mm: 680 bar
25mm to 50mm: 500 bar

All fittings also available in the following materials upon request:

- Stainless steel
- Cupro-nickel

Seals available on request:

- EP (ethylene propylene)
- FEP encapsulated FPM

All fittings supplied with Nitrile seals as standard.

Primary Item No	O/D	Part No	D mm	G mm	L mm	X mm	Ymm	Nut A/F mm	Body A/F mm	*Max WP Bar
5011904	6	KRAM6BPR	14	25	67	10	27	16	17	680
5011956	8	KRAM8BPR	16	25	67	10	27	17	17	680
5011455	10	KRAM10BPR	24	30	76	8	24	27	27	680
5011528	12	KRAM12BPR	24	30	76	8	24	27	27	680
5011602	16	KRAM16BPR	27	33	82	10	25	32	32	680
5011665	20	KRAM20BPR	37	46	101	16	32	41	41	680
5011695	22	KRAM22BPR	37	43	99	13	25	41	41	680
5011731	25	KRAM25BPR	40	49	109	18	34	46	41	500
5011784	30	KRAM30BPR	46	51	115	18	32	50	50	500
5011826	38	KRAM38BPR	52	62	134	23	34	60	60	500
5011859	50	KRAM50BPR	71	69	171	29	42	80	80	500

*Derate maximum working pressure by 50% for high pressure gas systems.